

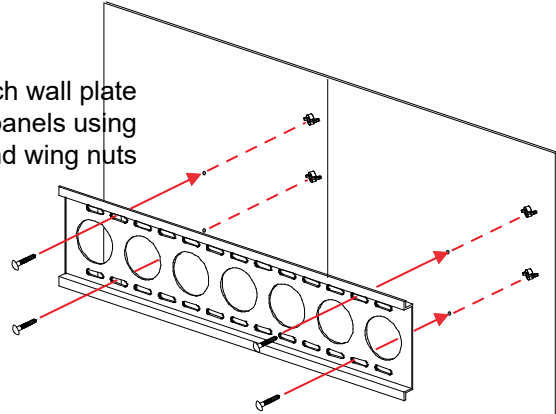
Attachments

Steps:

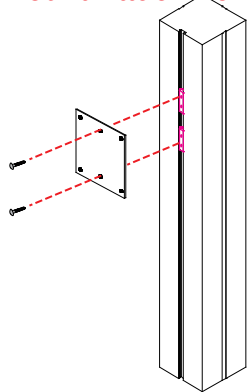
- 1) Attach lights to top of backwall as shown.
- 2) Attach large monitor mount to horizontal [10] as shown in detail.
- 3) Attach small monitor mounts to verticals as shown in detail.
- 4) Attach shelves to verticals as shown in detail.

* Monitor Mount Attachment

Attach wall plate to panels using bolts and wing nuts



* Small Monitor Mount Attachment



Attach back plate to connectors on vertical extrusion using screws. Then attach top plate and tighten setscrews to secure.

* Shelf Attachment

Connect shelf to shelf supports, attach to verticals and tighten lock to secure in place.

